

www.KCInvesting.com

HOW TO INVEST IN WORLD 3.0

WHAT IS THE NEW WORLD?

New Energy – Cleantech

New Military -- C4ISR

New Medicine – Nano/Bio Drugs

New System – Infrastructure

NEW ENERGY

New Ways To Use Existing Fuels

New Fuels

New Power Management

NEW ENERGY PICKS

SPIRE CORP (NSDQ: SPIR)

www.spirecorp.com

Solar Panel Equipment Maker

Custom Chips

Global Client Base

Family Controlled

HEWLETT PACKARD COMPANY
(NYSE: HPQ)

IT outsourcing through EDS subsidiary

Inventor of the Memristor—a major
breakthrough in solid state memory technology

Potential Nobel Prize Winners – MEMRISTOR update

Progress of memristor research was published in the July issue of the Journal of Nature Nanotechnology. Jianhua Yang, one of the principal researchers at HP, emphasized the significant development of the research that they now have successfully engineered control over the component functions. States of the device can be controlled other than “1” and “0”. They can be in fractions, like 0.2 or 0.5 or 0.9. This property will potentially make memristors a brain-like information processing. They can be operated in both digital and analog modes.

Two memristors can be fabricating together in a configuration called a crossbar latch – it could do the job of a transistor, functionally, though much smaller. They can also be fashioned into [non-volatile](#) solid-state memory, which would allow greater data density than hard drives with access times similar to [DRAM](#), replacing both components.

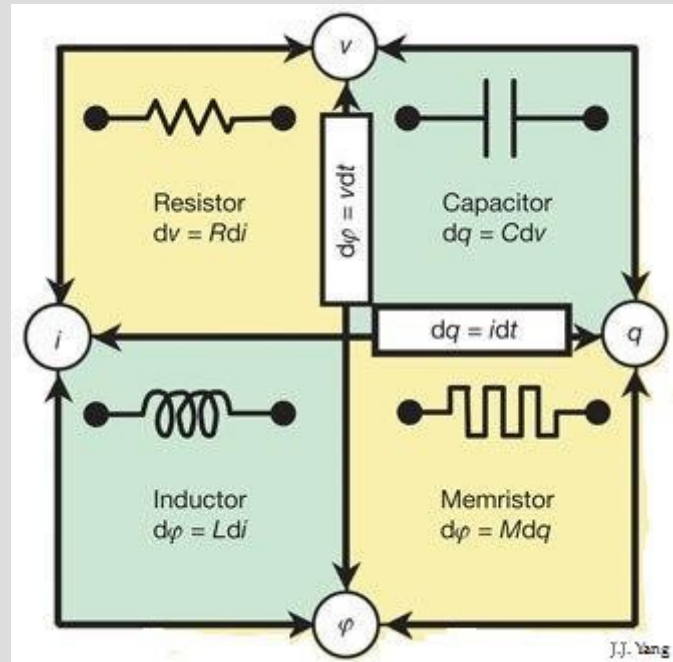
According to the EETimes, HP is announcing that it “plans to unveil RRAM (Resistive Random Access Memory) prototype chips based on memristors with crossbar arrays in 2009.” More reading material at the site below.

<http://www.eetimes.com/news/latest/showArticle.jhtml?articleID=208803176&pgno=1>

What it means:

- > the Electrical Engineering Circuits theory will need to be rewritten
- > computer will no longer have a hard drive
- > data storage capacity can be a lot larger within a smaller space
- > data access time will be a lot faster
- > PC 's will start up instantly without a slow boot-up process
- > laptop will retain sessions after the battery dies
- > cell phones will last for weeks before needing a charge again
- > a new era of neural network researches leads to hardware that will be able to learn, not

What's A Memristor?



MAXWELL TECHNOLOGIES (NSDQ: MXWL)

www.maxwell.com

Ultracapacitors for Transportation and Aerospace

CVD EQUIPMENT (NSDQ: CVV)

www.cvdequipment.com

Chemical Vapor Deposition Equipment

Nanotube Manufacturing

Strategic Partnering

R&D Equipment for Business and Universities

NEW MILITARY

C4ISR

WHAT IS IT?

Command, Control, Communications, Computing
Intelligence, Surveillance, Reconnaissance

Defense Tech

QintetiQ (London: QQ., OTC: QNTQY)

iRobot (NSDQ: IRBT)

Versar (AMEX: VSR)

AeroVironment (NSDQ: AVAV)

NEW MEDICINE

Nanotechnology

The ability to manipulate matter at the atomic level where new relationships occur among materials

DRUG DELIVERY

STARPHARMA (OTC: SPHRY)

www.starpharma.com

Dendrimer-based Drug Delivery System

VivaGel in Phase III Trials

Deals with Merck, GSK, Durex, Sigma Aldrich

VivaGel prevents HIV, Herpes, HPV

Highly Effective Spermicide vs. *Nonoxynol-9*

DRUG DELIVERY

PSIVIDA (NSDQ: PSDV)

www.psivida.com

Iluvien in Phase III trials for DME

BioSilicon in Phase III trials for Pancreatic Cancer

RNAi Therapies

RXi Pharmaceuticals (NSDQ: RXII)

www.rxipharma.com

Spun off from CytRx—all its RNAi portfolio

Starpharma working in co-dev deal with
Merck R&D subsidiary

NEW BASICS

100 Year Old Electrical Grid
Eisenhower-era Road System
Freight/Passenger Rail Dilapidated
Aging, Dirty, Inefficient Power Plants
Antiquated Refining Capacity
Inefficient Pipeline System

NEW BUILDING BLOCKS

OSHKOSH CORP (NYSE: OSK)

BASF (OTC: BASFY)

TOSHIBA (OTC: TOSBF)

SIEMENS (NYSE: SI)

WHERE TO READ US

FREE STUFF:

www.AtTheseLevels.com(blog)

www.KCInvesting.com(portal)

New Tech Investor (ezine at KCInvesting)

NEWSLETTERS:

www.NewWorld3.com

www.pfnewsletter.com

USERNAME/PASSWORD ACCESS:

economic/upswing